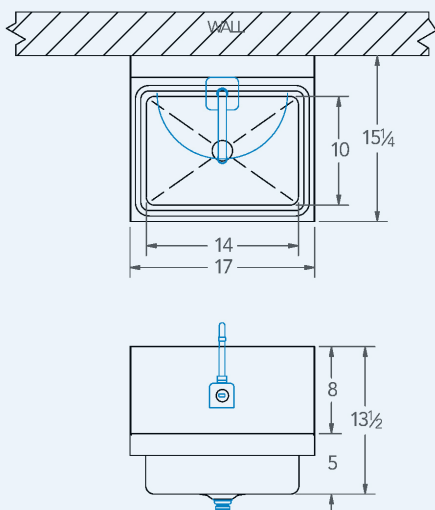


# Comal

Model # CM.30.110R  
Handwash Sink



**Bowl (Lg x Wd x Dp)**  
14" x 10" x 5"

**Overall (Lg x Wd)**  
17" x 15 1/4"

**Faucet**  
Wall mounted, sensor faucet

**End Splashes**  
Right Side

**Material**  
20 gauge, stainless steel

**Faucet Holes**  
1" Dia 4" Centers

**Drain**  
1-1/2" Dia Opening

## Included:



Matched Faucet



Basket Drain(s)

## Additional Features

- 20 gauge stainless steel
- Coved Corners
- NSF Approved
- Die-formed Rim
- O.A. 17" x 15 1/4"
- 14" x 10" x 5" deep sink bowl
- Includes faucet, drain and wall bracket
- Thermostatic mixing valve w/ sensor models
- 1 year warranty